

TAC - ADAPTER TERMINALS FOR WEDGE CONNECTOR

TAC-4/0-4N

Description

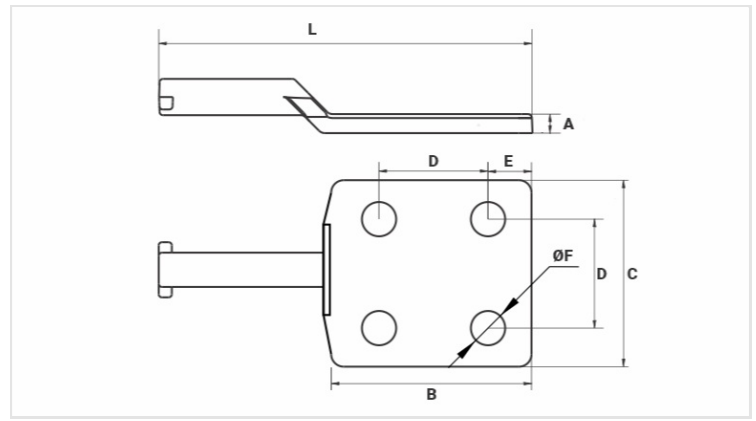
Purpose: Termination on sectioning switches and busbars in conjunction with aluminum wedge connectors.

Characteristics: High electrical conductivity and corrosion resistance. Pad with two or four holes NEMA standard.

Application: Power distribution lines.

Material: Cast aluminum alloy.

Application Tool: Impact tool for wedge connector.



Datasheet

Terminal (Pin Gauge)

AWG/MCM	4/0
Ø (mm)	13,2

Conductors (AWG/MCM)

6 - 4/0

Wedge Type Connectors**

CADC-20B | CADC-208 | CADC-211

Dimensions

L	159,0
A	7,0
C	76,0
B	78,0
D	44,5
E	16,0
ØF	14,3

Package

Qtd / Emb	30
Peso Unit. (g)	130,00