

LF - SPLICE SLEEVE FOR COPPER CABLES (LOW TRACTION)

LF-50

Description

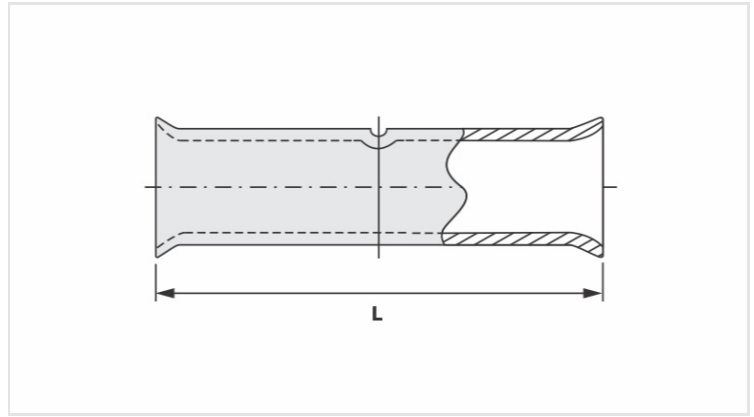
Purpose: Rigid or flexible copper cable splice (low traction).

Characteristics: Compression connection. High electrical conductivity and corrosion resistance. Expanded shape ends for easy insertion of flexible conductors. With center wire stop.

Application: Electrical installations in general (residential, building, industrial).

Material: Electrolytic copper.

Finish: Tin plated.



Datasheet

Conductors - Cross Section (mm²)	50
Current (A)	275
Dimension (mm) - L	47,0
Application Tool	
Alicate Mecânico	
Modelo	AT-60/68
Matriz (AT-60)	IW-1
Alicate Hidráulico (AY-96 / CY-96)	
Matriz Circunf.	IU-25*
Matriz Hexagonal	H-25
Package	
Qtd / Emb	30
Peso Unit. (g)	20,00