

LF - SPLICE SLEEVE FOR COPPER CABLES (LOW TRACTION)

LF-240

Description

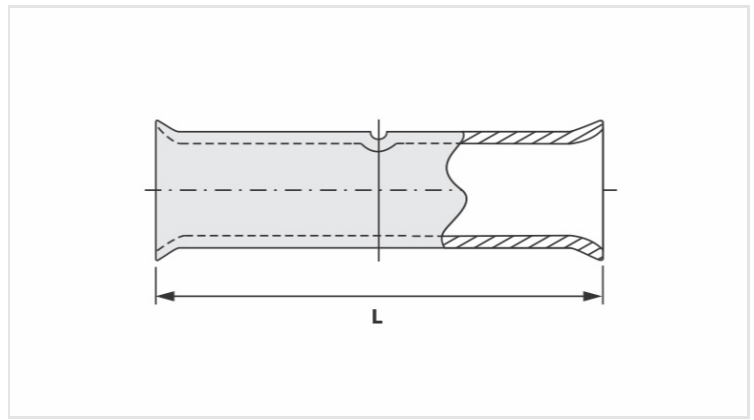
Purpose: Rigid or flexible copper cable splice (low traction).

Characteristics: Compression connection. High electrical conductivity and corrosion resistance. Expanded shape ends for easy insertion of flexible conductors. With center wire stop.

Application: Electrical installations in general (residential, building, industrial).

Material: Electrolytic copper.

Finish: Tin plated.



Datasheet

Conductors - Cross Section (mm²)	240
Current (A)	781
Dimension (mm) - L	71,0
Application Tool	
Alicate Mecânico	
Modelo	-
Matriz (AT-60)	-
Alicate Hidráulico (AY-96 / CY-96)	
Matriz Circunf.	IU-34
Matriz Hexagonal	H-34
Package	
Qtd / Emb	15
Peso Unit. (g)	113