

LF - SPLICE SLEEVE FOR COPPER CABLES (LOW TRACTION)

LF-400

Description

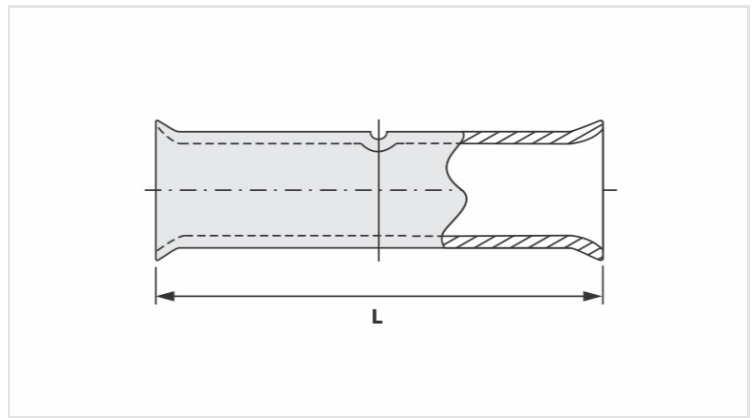
Purpose: Rigid or flexible copper cable splice (low traction).

Characteristics: Compression connection. High electrical conductivity and corrosion resistance. Expanded shape ends for easy insertion of flexible conductors. With center wire stop.

Application: Electrical installations in general (residential, building, industrial).

Material: Electrolytic copper.

Finish: Tin plated.



Datasheet

Conductors - Cross Section (mm²)	400
Current (A)	1085
Dimension (mm) - L	85,5
Application Tool	
Alicate Mecânico	
Modelo	-
Matriz (AT-60)	-
Alicate Hidráulico (AY-96 / CY-96)	
Matriz Circunf.	-
Matriz Hexagonal	-
Package	
Qtd / Emb	10
Peso Unit. (g)	188,00