

TH / TH-R - GROUNDING CLAMPS

TH-38

Description

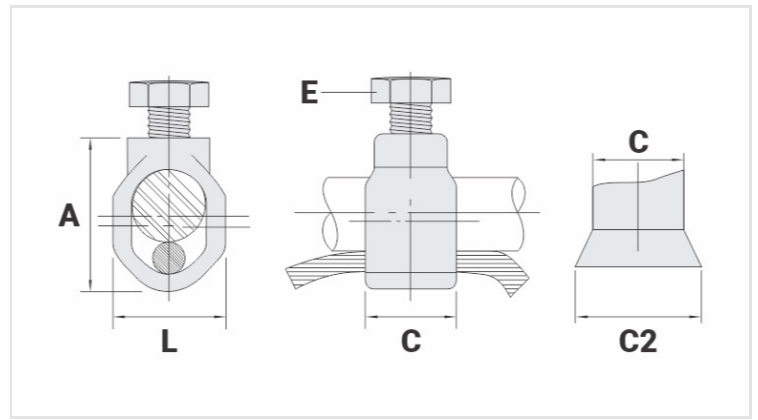
Purpose: Connection between ground rod and cable. Suitable for COPPERSTEEL or copper cables.

Characteristics: Tightening connection. High electrical conductivity and corrosion resistance.

Application: Grounding systems in general (power distribution systems, grounding grids, residential, building and industrial grounding, grounding in telecommunication networks).

Material: Bronze clamp, copper alloy (TH-R) or copper alloy clamp, electrolytic zinc plated steel fittings (TH).

Application Tool: Spanner set or open-ended wrench.



Datasheet

| | |
|---|--------|
| Ground Rod Nominal Diameter (inches) | 3/8" |
| Conductor | |
| AWG/MCM | 12 - 8 |
| mm ² | 4 - 16 |
| Dimensions | |
| L | 19,0 |
| A | 27,5 |
| C | 12,8 |
| C2 | 21,3 |
| Parafuso | 5/16" |
| Package | |
| Qtd / Emb | 100 |
| Peso Unit. (g) | 36,70 |