

TH / TH-R - GROUNDING CLAMPS

TH-12-58

Description

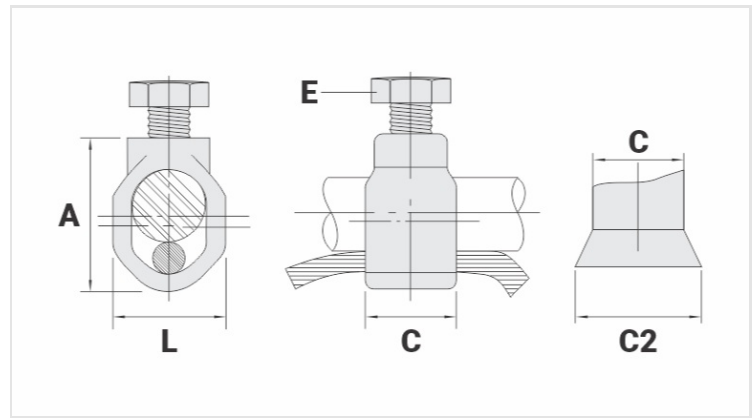
Purpose: Connection between ground rod and cable. Suitable for COPPERSTEEL or copper cables.

Characteristics: Tightening connection. High electrical conductivity and corrosion resistance.

Application: Grounding systems in general (power distribution systems, grounding grids, residential, building and industrial grounding, grounding in telecommunication networks).

Material: Bronze clamp, copper alloy (TH-R) or copper alloy clamp, electrolytic zinc plated steel fittings (TH).

Application Tool: Spanner set or open-ended wrench.



Datasheet

Ground Rod Nominal Diameter (inches)	1/2" - 5/8"
Conductor	
AWG/MCM	10 - 1/0
mm ²	6 - 50
Dimensions	
L	25,0
A	35,0
C	12,5
C2	-
Parafuso	5/16"
Package	
Qtd / Emb	100
Peso Unit. (g)	39,00