

TH / TH-R - GROUNDING CLAMPS

TH-12-58-R

Description

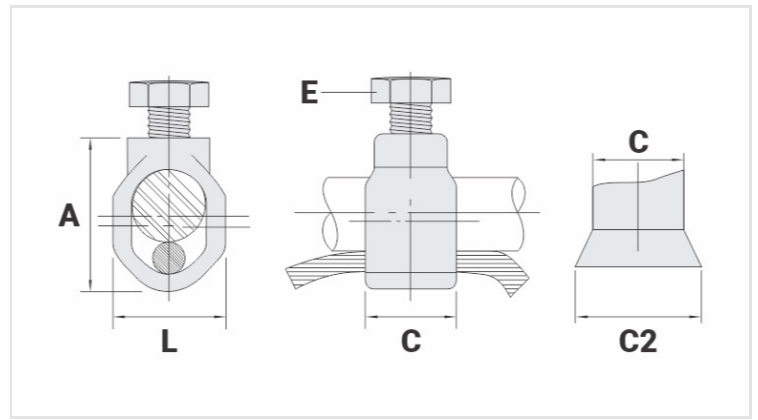
Purpose: Connection between ground rod and cable. Suitable for COPPERSTEEL or copper cables.

Characteristics: Tightening connection. High electrical conductivity and corrosion resistance.

Application: Grounding systems in general (power distribution systems, grounding grids, residential, building and industrial grounding, grounding in telecommunication networks).

Material: Bronze clamp, copper alloy (TH-R) or copper alloy clamp, electrolytic zinc plated steel fittings (TH).

Application Tool: Spanner set or open-ended wrench.



Datasheet

Ground Rod Nominal Diameter (inches)	1/2" - 5/8"
Conductor	
AWG/MCM	8 - 2/0
mm ²	10 - 70
Dimensions	
L	31,5
A	42,0
C	19,5
C2	-
Parafuso	M10
Package	
Qtd / Emb	40
Peso Unit. (g)	76,30