

TH / TH-R - GROUNDING CLAMPS

TH-58

Description

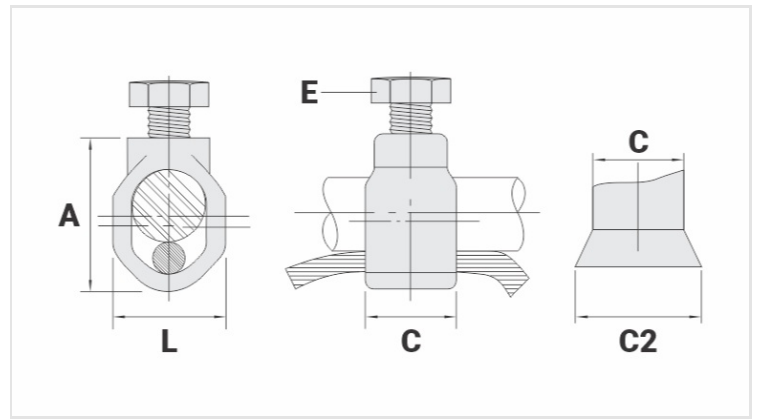
Purpose: Connection between ground rod and cable. Suitable for COPPERSTEEL or copper cables.

Characteristics: Tightening connection. High electrical conductivity and corrosion resistance.

Application: Grounding systems in general (power distribution systems, grounding grids, residential, building and industrial grounding, grounding in telecommunication networks).

Material: Bronze clamp, copper alloy (TH-R) or copper alloy clamp, electrolytic zinc plated steel fittings (TH).

Application Tool: Spanner set or open-ended wrench.



Datasheet

Ground Rod Nominal Diameter (inches)	5/8"
Conductor	
AWG/MCM	8 - 1/0
mm ²	10 - 50
Dimensions	
L	22,0
A	36,0
C	17,0
C2	21,0
Parafuso	3/8"
Package	
Qtd / Emb	50
Peso Unit. (g)	53,20