

**TH / TH-R - GROUNDING CLAMPS**

TH-58-R

**Description**

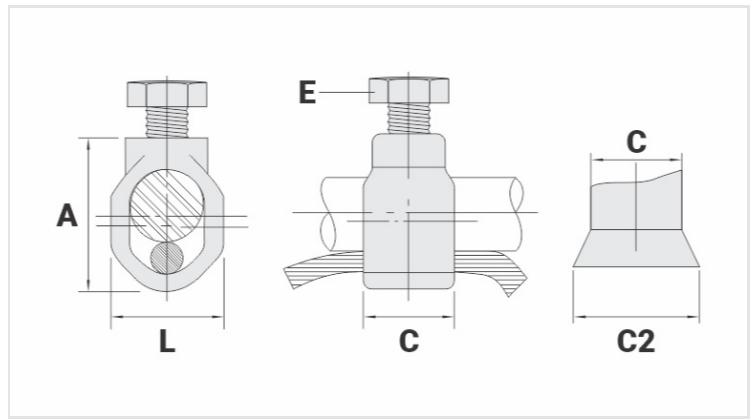
**Purpose:** Connection between ground rod and cable. Suitable for COPPERSTEEL or copper cables.

**Characteristics:** Tightening connection. High electrical conductivity and corrosion resistance.

**Application:** Grounding systems in general (power distribution systems, grounding grids, residential, building and industrial grounding, grounding in telecommunication networks).

**Material:** Bronze clamp, copper alloy (TH-R) or copper alloy clamp, electrolytic zinc plated steel fittings (TH).

**Application Tool:** Spanner set or open-ended wrench.



**Datasheet**

<b>Ground Rod Nominal Diameter (inches)</b>	5/8"
<b>Conductor</b>	
AWG/MCM	8 - 1/0
mm <sup>2</sup>	10 - 50
<b>Dimensions</b>	
L	22,0
A	36,0
C	17,0
C2	21,0
Parafuso	M10
<b>Package</b>	
Qtd / Emb	50
Peso Unit. (g)	47,10