

**CAL - ALUMINUM COMPRESSION TYPE CONNECTOR**

CAL-32 A 32

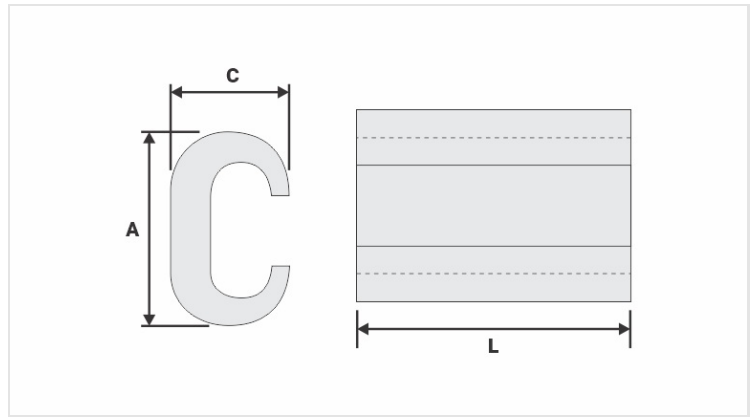
**Description**

**Purpose:** Aluminum CA or CAA cable tap. Suitable for aluminum-aluminum connections.

**Characteristics:** Compression connection. High electrical conductivity and resistance to corrosion.

**Application:** Power distribution lines.

**Material:** Extruded aluminum, Supplied with antioxiide compound INTELTROX.



**Datasheet**

**Conductors**

Principal

CA (AWG/MCM)	4
CAA (AWG/MCM)	6
Diâmetro (mm)	5,1 - 5,9

Derivação

CA (AWG/MCM)	8 - 4
CAA (AWG/MCM)	6
Diâmetro (mm)	3,7 - 5,9

**Dimensions (mm)**

L	32,0
A	19,0
C	

**Application Tool**

AT-60	
Matriz	IW-BG
Compressões	2
AY-96 / CY-96	
Matriz	IU-BG
Compressões	2

**Package**

Qtd / Emb	200
Peso Unit. (g)	11,70

