

CAL - ALUMINUM COMPRESSION TYPE CONNECTOR

CAL-38 A 38

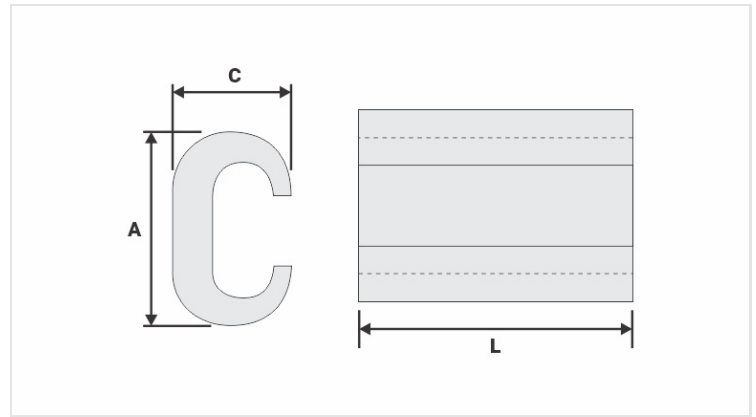
Description

Purpose: Aluminum CA or CAA cable tap. Suitable for aluminum-aluminum connections.

Characteristics: Compression connection. High electrical conductivity and resistance to corrosion.

Application: Power distribution lines.

Material: Extruded aluminum, Supplied with antioxiide compound INTELTROX.



Datasheet

Conductors

Principal

CA (AWG/MCM)	2
CAA (AWG/MCM)	4 - 2
Diâmetro (mm)	6,3 - 8,0

Derivação

CA (AWG/MCM)	6 - 2
CAA (AWG/MCM)	6 - 2
Diâmetro (mm)	4,6 - 8,0

Dimensions (mm)

L	38,0
A	25,0
C	

Application Tool

AT-60	
Matriz	IW-C
Compressões	4
AY-96 / CY-96	
Matriz	IU-C
Compressões	2

Package

Qtd / Emb	200
Peso Unit. (g)	21,40

