

CAL - ALUMINUM COMPRESSION TYPE CONNECTOR

CAL-44 A 38

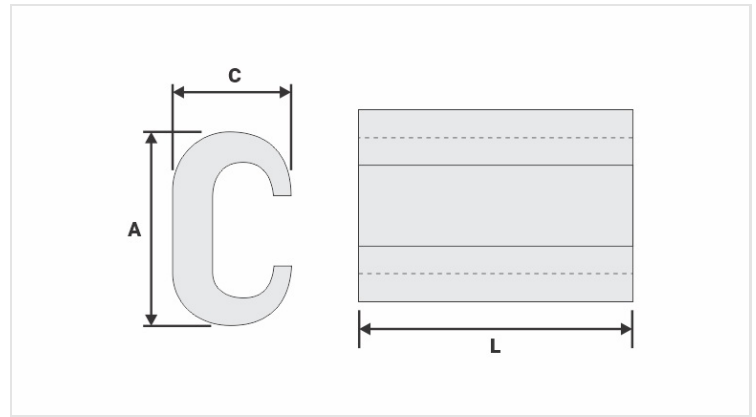
Description

Purpose: Aluminum CA or CAA cable tap. Suitable for aluminum-aluminum connections.

Characteristics: Compression connection. High electrical conductivity and resistance to corrosion.

Application: Power distribution lines.

Material: Extruded aluminum, Supplied with antioxiide compound INTELTROX.



Datasheet

Conductors

Principal

CA (AWG/MCM) 1/0

CAA (AWG/MCM) 1/0

Diâmetro (mm) 9,3 - 10,1

Derivação

CA (AWG/MCM) 6 - 2

CAA (AWG/MCM) 6 - 2

Diâmetro (mm) 4,6 - 8,0

Dimensions (mm)

L 57,0

A 29,0

C

Application Tool

AT-60

Matriz IW-C

Compressões 6

AY-96 / CY-96

Matriz IU-C

Compressões 3

Package

Qtd / Emb 100

Peso Unit. (g) 31,70

