

CAL - ALUMINUM COMPRESSION TYPE CONNECTOR

CAL-44 A 44

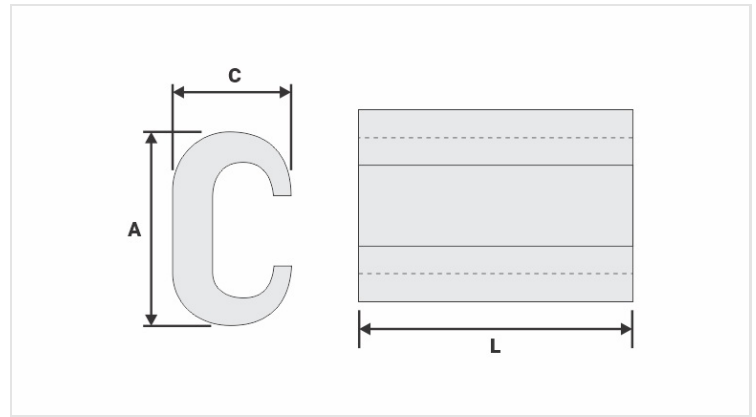
Description

Purpose: Aluminum CA or CAA cable tap. Suitable for aluminum-aluminum connections.

Characteristics: Compression connection. High electrical conductivity and resistance to corrosion.

Application: Power distribution lines.

Material: Extruded aluminum, Supplied with antioxiide compound INTELTROX.



Datasheet

Conductors

Principal

CA (AWG/MCM)	1/0 - 2/0
CAA (AWG/MCM)	1/0
Diâmetro (mm)	9,3 - 10,5

Derivação

CA (AWG/MCM)	1/0 - 2/0
CAA (AWG/MCM)	1/0
Diâmetro (mm)	9,3 - 10,5

Dimensions (mm)

L	45,0
A	34,0
C	

Application Tool

AT-60	
Matriz	IW-Q
Compressões	6
AY-96 / CY-96	
Matriz	IU-Q
Compressões	2

Package

Qtd / Emb	100
Peso Unit. (g)	40,65

