

CAL - ALUMINUM COMPRESSION TYPE CONNECTOR

CAL-60 A 44

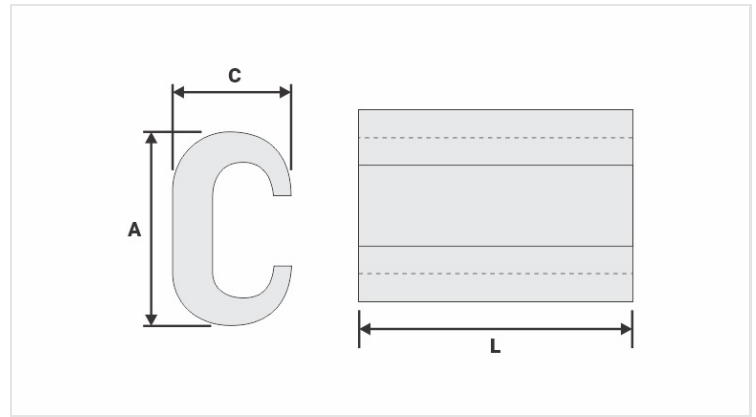
Description

Purpose: Aluminum CA or CAA cable tap. Suitable for aluminum-aluminum connections.

Characteristics: Compression connection. High electrical conductivity and resistance to corrosion.

Application: Power distribution lines.

Material: Extruded aluminum, Supplied with antioxiide compound INTELTROX.



Datasheet

Conductors

Principal

CA (AWG/MCM)	3/0 - 4/0
CAA (AWG/MCM)	3/0 - 4/0
Diâmetro (mm)	11,8 - 14,3

Derivação

CA (AWG/MCM)	1/0
CAA (AWG/MCM)	1/0
Diâmetro (mm)	9,3 - 10,1

Dimensions (mm)

L	70,0
A	42,0
C	

Application Tool

AT-60	
Matriz	-
Compressões	-
AY-96 / CY-96	
Matriz	IU-H
Compressões	3

Package

Qtd / Emb	40
Peso Unit. (g)	95,80

