

## CAL - ALUMINUM COMPRESSION TYPE CONNECTOR

CAL-60 A 60

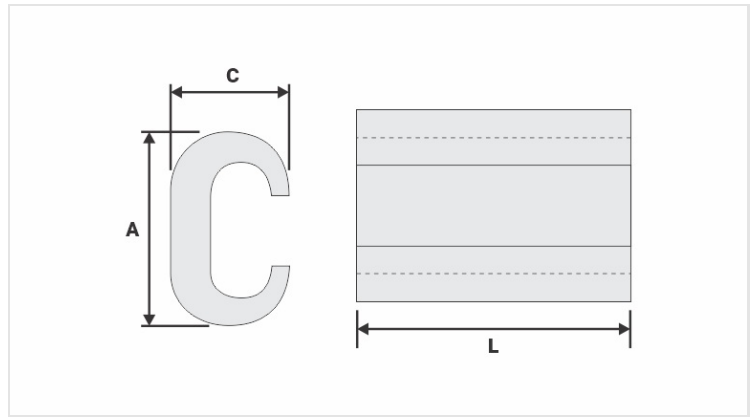
### Description

**Purpose:** Aluminum CA or CAA cable tap. Suitable for aluminum-aluminum connections.

**Characteristics:** Compression connection. High electrical conductivity and resistance to corrosion.

**Application:** Power distribution lines.

**Material:** Extruded aluminum, Supplied with antioxidant compound INTELTROX.



### Datasheet

#### Conductors

Principal

CA (AWG/MCM)	3/0 - 4/0
CAA (AWG/MCM)	3/0
Diâmetro (mm)	11,8 - 13,3

Derivação

CA (AWG/MCM)	3/0 - 4/0
CAA (AWG/MCM)	3/0
Diâmetro (mm)	11,8 - 13,3

#### Dimensions (mm)

L	70,0
A	42,0
C	

#### Application Tool

AT-60	
Matriz	-
Compressões	-
AY-96 / CY-96	
Matriz	IU-H
Compressões	3

#### Package

Qtd / Emb	40
Peso Unit. (g)	85,50

