

CAC - ALUMINUM COMPRESSION CONNECTOR

CAC- 38 A 24

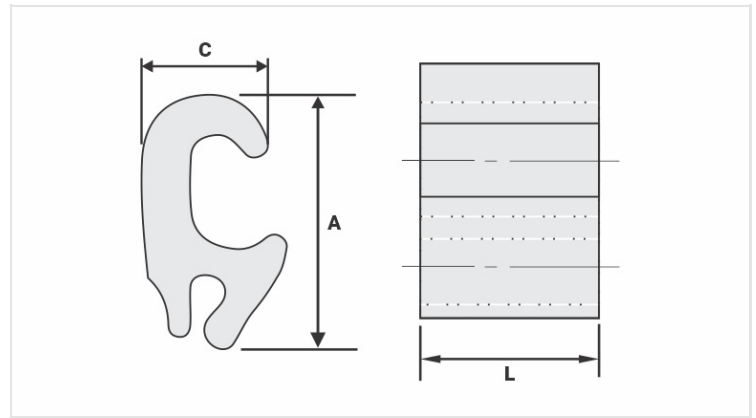
Description

Purpose: To aluminum CA, CAA or copper cables tap connector. Suitable for aluminum-aluminum and aluminum-copper connections.

Characteristics: Compression connection. High electrical conductivity and corrosion resistance. Connection keeps the conductors separate to minimize the effects of galvanic corrosion, enabling a bimetallic connection.

Application: Power distribution lines.

Material: Extruded aluminum, Supplied with antioxidant compound INTELTROX.



Datasheet

Conductors

Principal

CA/Cu (AWG/MCM) 6 - 2

CAA (AWG/MCM) 6 - 4

Diâmetro (mm) 4,6 - 7,4

Derivação

CA/Cu (AWG/MCM) Fio 14 - 8

CAA (AWG/MCM) -

Diâmetro (mm) 1,6 - 3,7

Dimensions (mm)

L 18,0

A 25,0

C

Application Tool

AT-60

Matriz IW-BG

Compressões 2

AY-96 / CY-96

Matriz IU-BG

Compressões 1

Package

Qtd / Emb

400

Peso Unit. (g)

8,60