

CAC - ALUMINUM COMPRESSION CONNECTOR

CAC-40 A 40

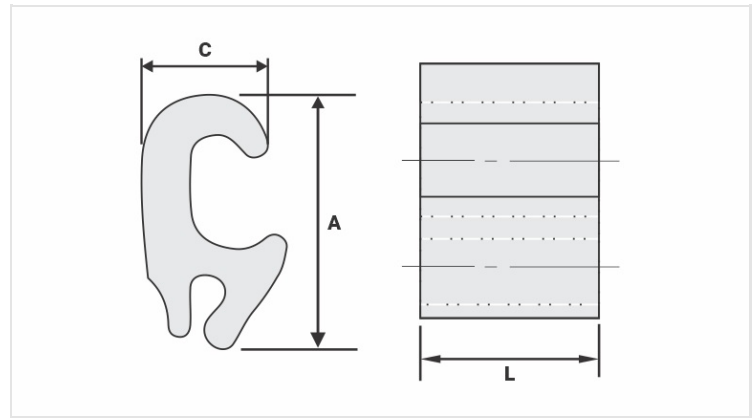
Description

Purpose: To aluminum CA, CAA or copper cables tap connector. Suitable for aluminum-aluminum and aluminum-copper connections.

Characteristics: Compression connection. High electrical conductivity and corrosion resistance. Connection keeps the conductors separate to minimize the effects of galvanic corrosion, enabling a bimetallic connection.

Application: Power distribution lines.

Material: Extruded aluminum, Supplied with antioxidant compound INTELTROX.



Datasheet

Conductors

Principal

CA/Cu (AWG/MCM) 4 - 1

CAA (AWG/MCM) 6 - 2

Diâmetro (mm) 5,1 - 8,1

Derivação

CA/Cu (AWG/MCM) Fio 6 - 1

CAA (AWG/MCM) 6 - 2

Diâmetro (mm) 4,1 - 8,3

Dimensions (mm)

L 48,0

A 42,0

C

Application Tool

AT-60

Matriz -

Compressões -

AY-96 / CY-96

Matriz IU-D3

Compressões 2

Package

