

**CAC - ALUMINUM COMPRESSION CONNECTOR**

CAC-60 A 49

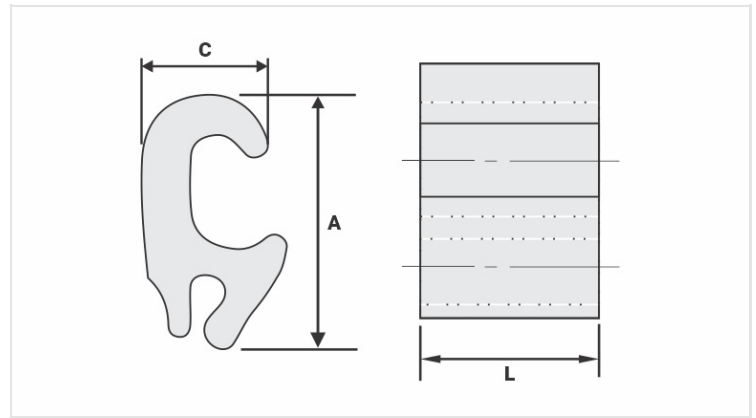
**Description**

**Purpose:** To aluminum CA, CAA or copper cables tap connector. Suitable for aluminum-aluminum and aluminum-copper connections.

**Characteristics:** Compression connection. High electrical conductivity and corrosion resistance. Connection keeps the conductors separate to minimize the effects of galvanic corrosion, enabling a bimetallic connection.

**Application:** Power distribution lines.

**Material:** Extruded aluminum, Supplied with antioxidant compound INTELTROX.



**Datasheet**

**Conductors**

Principal

CA/Cu (AWG/MCM) 1/0 - 4/0

CAA (AWG/MCM) 1/0 - 4/0

Diâmetro (mm) 9,3 - 14,3

Derivação

CA/Cu (AWG/MCM) Fio 6 - 2/0

CAA (AWG/MCM) 6 - 1/0

Diâmetro (mm) 4,1 - 10/6

**Dimensions (mm)**

L 54,0

A 54,0

C

**Application Tool**

AT-60

Matriz -

Compressões -

AY-96 / CY-96

Matriz IU-H

Compressões 2

**Package**

