

GTDB - BUSBAR DOUBLE GROUNDING CLAMPS (1 CONDUCTOR)

GTDB-300-500

Description

Purpose: Cable to busbar connections. Suitable for COPPERSTEEL or copper cables.

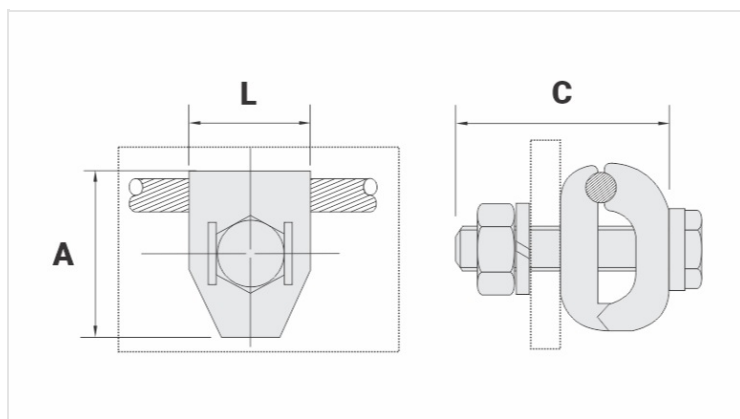
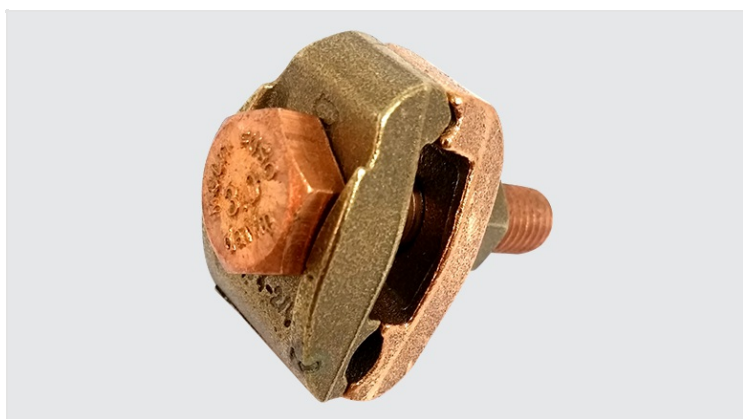
Characteristics: Tightening connection. High electrical conductivity and corrosion resistant. Single conductor version. Enough screw length for plate/bar thickness up to 7mm.

Application: Grounding systems in general (power distribution systems, grounding grids, residential, building, industrial grounding, grounding in telecommunication networks).

Material: Bronze clamp, fittings in copper alloy or hot galvanized steel.

Application Tool: Spanner set or open-ended wrench.

*Also available tin plated.



Datasheet

Conductor

Seção (AWG/MCM)	300 - 500
mm ²	150 - 240

Dimensions (mm)

L	39,0
A	62,0
C	70,0

Parafuso - E M12

Figura 1

Package

Qtd / Emb	15
Peso Unit. (g)	462,00