

**GTDB - BUSBAR DOUBLE GROUNDING CLAMPS (1 CONDUCTOR)**

GTDB-4-2/0

**Description**

**Purpose:** Cable to busbar connections. Suitable for COPPERSTEEL or copper cables.

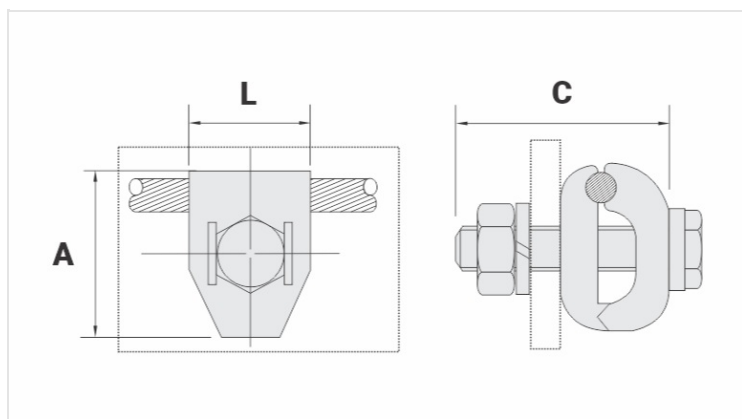
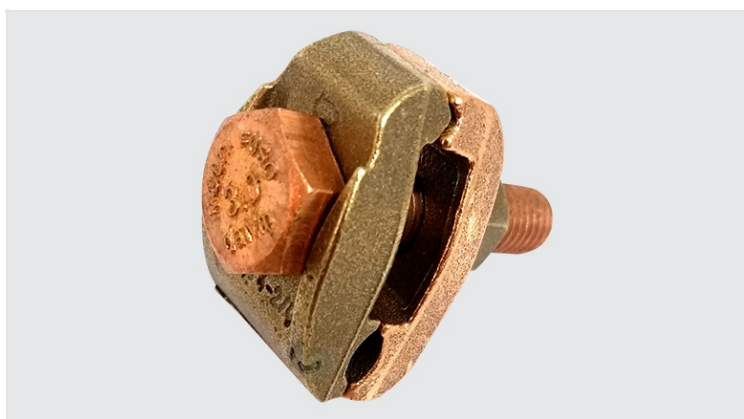
**Characteristics:** Tightening connection. High electrical conductivity and corrosion resistant. Single conductor version. Enough screw length for plate/bar thickness up to 7mm.

**Application:** Grounding systems in general (power distribution systems, grounding grids, residential, building, industrial grounding, grounding in telecommunication networks).

**Material:** Bronze clamp, fittings in copper alloy or hot galvanized steel.

**Application Tool:** Spanner set or open-ended wrench.

\*Also available tin plated.



**Datasheet**

**Conductor**

Seção (AWG/MCM)	4 - 2/0
mm <sup>2</sup>	16 - 70

**Dimensions (mm)**

L	25,0
A	38,0
C	45,0

Parafuso - E M10

Figura 1

**Package**

Qtd / Emb	25
Peso Unit. (g)	169,00