

CADC - ALUMINUM WEDGE TYPE CONNECTOR

CADC-101

Description

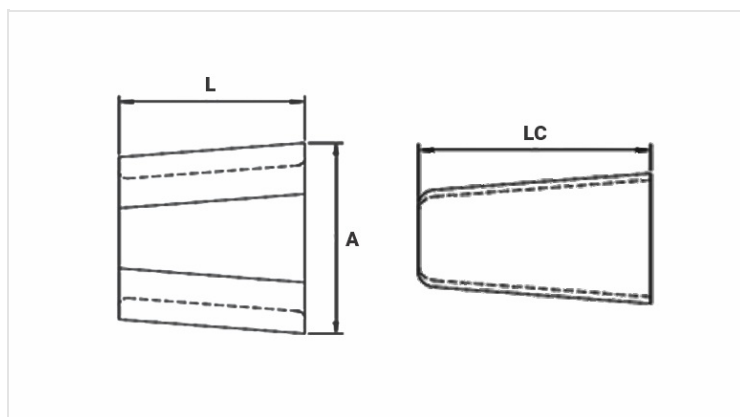
Purpose: CA or CAA aluminum and copper cables tap. Suitable for aluminum-aluminum and aluminum-copper connections.

Characteristics: Spring system connection (permanent tightening). High electrical conductivity and corrosion resistance.

Application: Power distribution lines.

Material: Aluminum alloy body and wedge. Supplied with antioxidant compound INTELTROX.

Application Tool: Impact tool with cartridge for wedge connector.



Datasheet

Application Cartridge Color

VERMELHO

Conductors

Principal

Min. (mm) 6,53

Máx. (mm) 10,11

AWG/MCM 1/0

Derivação

Min. (mm) 6,53

Máx. (mm) 10,11

AWG/MCM 2

Soma dos Condutores

Min. (mm) 14,81

Máx. (mm) 18,39

Dimensions (mm)

L 31,7

A 39,5

LC 38,0

Package

Qtd / Emb 50

Peso Unit. (g) 38,80

