

CADC - ALUMINUM WEDGE TYPE CONNECTOR

CADC-208

Description

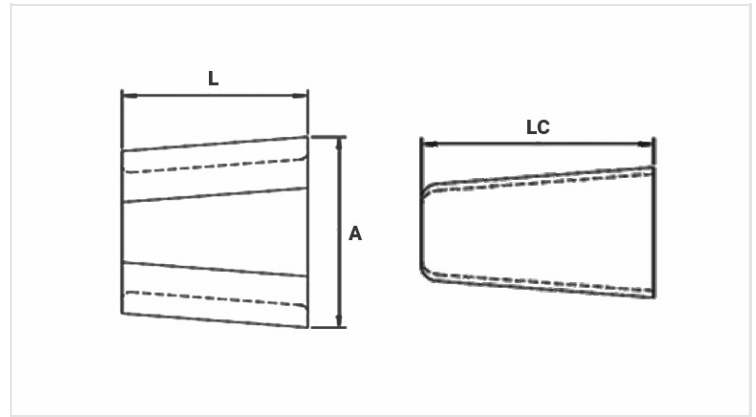
Purpose: CA or CAA aluminum and copper cables tap. Suitable for aluminum-aluminum and aluminum-copper connections.

Characteristics: Spring system connection (permanent tightening). High electrical conductivity and corrosion resistance.

Application: Power distribution lines.

Material: Aluminum alloy body and wedge. Supplied with antioxidant compound INTELTROX.

Application Tool: Impact tool with cartridge for wedge connector.



Datasheet

Application Cartridge Color

AZUL

Conductors

Principal

Min. (mm) 8,23

Máx. (mm) 14,53

AWG/MCM 1/0 | 2/0 | 2/0 | 2/0 | 2/0 | 3/0 | 3/0 | 4/0 | 4/0

Derivação

Min. (mm) 4,11

Máx. (mm) 11,79

AWG/MCM 1/0 | 4 | 2 | 1/0 | 2/0 | 4 | 2 | 6 | 4

Soma dos Condutores

Min. (mm) 15,90

Máx. (mm) 22,32

Dimensions (mm)

L 41,5

A 64,5

LC 51,0

Package

Qtd / Emb 40

Peso Unit. (g) 125,80

