

CADC - ALUMINUM WEDGE TYPE CONNECTOR

CADC-30A

Description

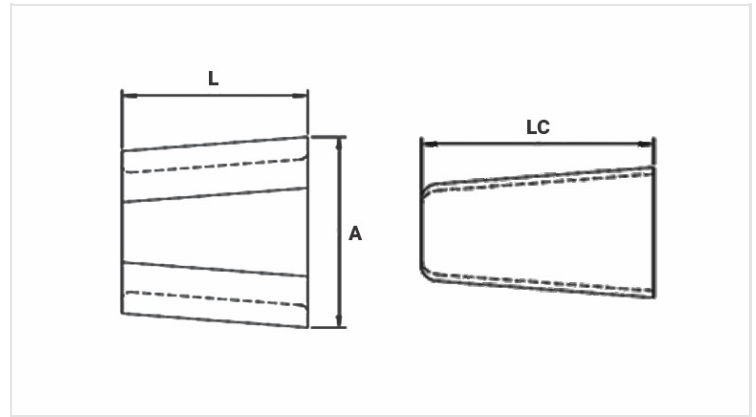
Purpose: CA or CAA aluminum and copper cables tap. Suitable for aluminum-aluminum and aluminum-copper connections.

Characteristics: Spring system connection (permanent tightening). High electrical conductivity and corrosion resistance.

Application: Power distribution lines.

Material: Aluminum alloy body and wedge. Supplied with antioxidant compound INTELTROX.

Application Tool: Impact tool with cartridge for wedge connector.



Datasheet

Application Cartridge Color

AZUL

Conductors

Principal

Min. (mm) 15,24

Máx. (mm) 17,37

AWG/MCM 266,8 | 266,8 | 336,4 | 336,4

Derivação

Min. (mm) 4,11

Máx. (mm) 12,70

AWG/MCM 6 | 4 | 6 | 4

Soma dos Condutores

Min. (mm) 18,75

Máx. (mm) 22,76

Dimensions (mm)

L 50,0

A 65,5

LC 54,0

Package

Qtd / Emb 40

Peso Unit. (g) 124,40

