

**CADC - ALUMINUM WEDGE TYPE CONNECTOR**

CADC-317

**Description**

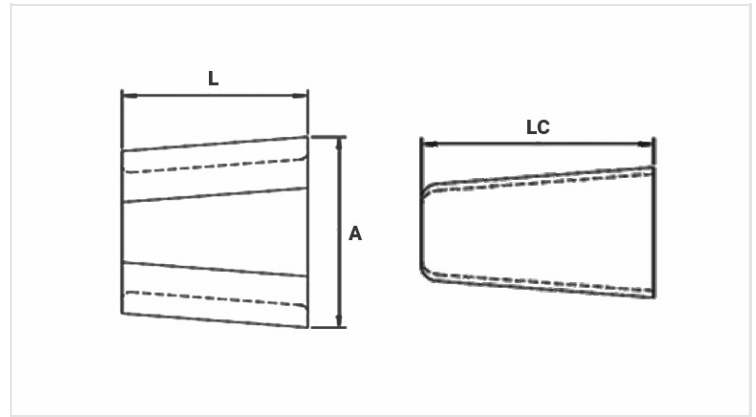
**Purpose:** CA or CAA aluminum and copper cables tap. Suitable for aluminum-aluminum and aluminum-copper connections.

**Characteristics:** Spring system connection (permanent tightening). High electrical conductivity and corrosion resistance.

**Application:** Power distribution lines.

**Material:** Aluminum alloy body and wedge. Supplied with antioxidant compound INTELTROX.

**Application Tool:** Impact tool with cartridge for wedge connector.



**Datasheet**

**Application Cartridge Color**

AZUL

**Conductors**

Principal

Min. (mm) 15,24

Máx. (mm) 17,37

AWG/MCM 336,4 | 336,4

Derivação

Min. (mm) 11,68

Máx. (mm) 17,37

AWG/MCM 266,8 | 336,4

Soma dos Condutores

Min. (mm) 31,21

Máx. (mm) 34,75

**Dimensions (mm)**

L 50,0

A 65,5

LC 54,0

**Package**

Qtd / Emb 30

Peso Unit. (g) 108,60

