

CADC - ALUMINUM WEDGE TYPE CONNECTOR

CADC-351

Description

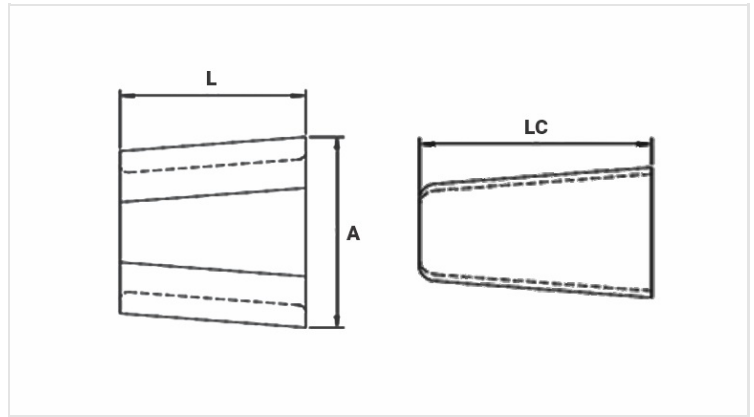
Purpose: CA or CAA aluminum and copper cables tap. Suitable for aluminum-aluminum and aluminum-copper connections.

Characteristics: Spring system connection (permanent tightening). High electrical conductivity and corrosion resistance.

Application: Power distribution lines.

Material: Aluminum alloy body and wedge. Supplied with antioxidant compound INTELTROX.

Application Tool: Impact tool with cartridge for wedge connector.



Datasheet

Application Cartridge Color AZUL

Conductors

Principal

Min. (mm) 16,90

Máx. (mm) 18,30

AWG/MCM 336,4* | 336,4*

Derivação

Min. (mm) 11,80

Máx. (mm) 14,31

AWG/MCM 3/0 | 4/0

Soma dos Condutores

Min. (mm) 30,10

Máx. (mm) 32,60

Dimensions (mm)

L 50,0

A 70,2

LC 54,0

Package

Qtd / Emb 30

Peso Unit. (g) 127,00

