

CADC - ALUMINUM WEDGE TYPE CONNECTOR

CADC-401

Description

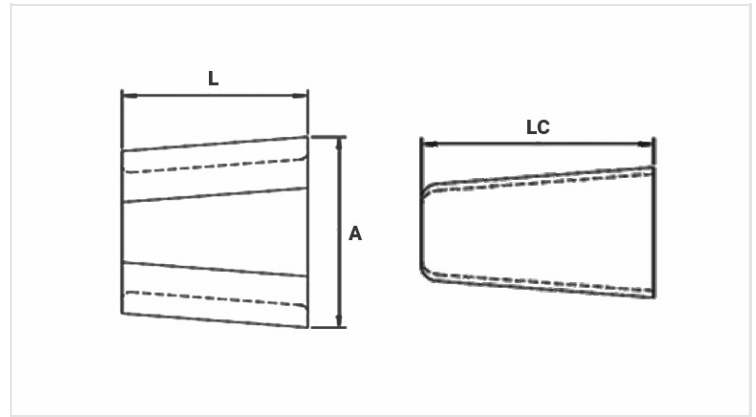
Purpose: CA or CAA aluminum and copper cables tap. Suitable for aluminum-aluminum and aluminum-copper connections.

Characteristics: Spring system connection (permanent tightening). High electrical conductivity and corrosion resistance.

Application: Power distribution lines.

Material: Aluminum alloy body and wedge. Supplied with antioxidant compound INTELTROX.

Application Tool: Impact tool with cartridge for wedge connector.



Datasheet

Application Cartridge Color

AMARELO

Conductors

Principal

Min. (mm)	13,31
Máx. (mm)	19,05
AWG/MCM	336,4* 336,4*

Derivação

Min. (mm)	13,31
Máx. (mm)	19,05
AWG/MCM	266,8 336,4*

Soma dos Condutores

Min. (mm)	31,75
Máx. (mm)	36,99

Dimensions (mm)

L	75,7
A	90,5
LC	88,7

Package

Qtd / Emb	30
Peso Unit. (g)	360,00

