

CADC - ALUMINUM WEDGE TYPE CONNECTOR

CADC-407

Description

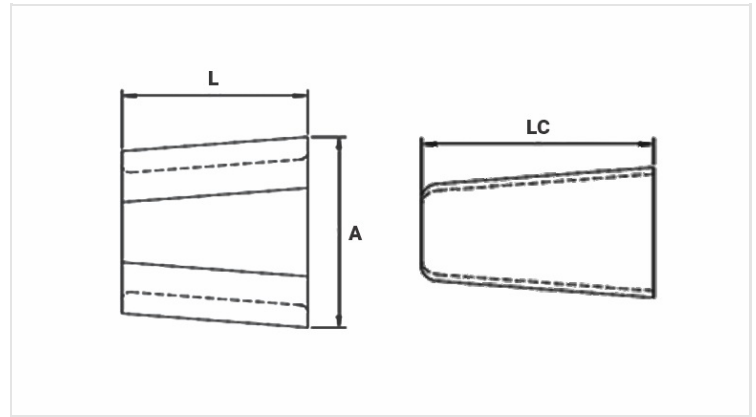
Purpose: CA or CAA aluminum and copper cables tap. Suitable for aluminum-aluminum and aluminum-copper connections.

Characteristics: Spring system connection (permanent tightening). High electrical conductivity and corrosion resistance.

Application: Power distribution lines.

Material: Aluminum alloy body and wedge. Supplied with antioxidant compound INTELTROX.

Application Tool: Impact tool with cartridge for wedge connector.



Datasheet

Application Cartridge Color

AMARELO

Conductors

Principal

Min. (mm) 13,31

Máx. (mm) 19,05

AWG/MCM 336,4* | 336,4*

Derivação

Min. (mm) 6,53

Máx. (mm) 9,02

AWG/MCM 4 | 2

Soma dos Condutores

Min. (mm) 21,84

Máx. (mm) 27,08

Dimensions (mm)

L 75,7

A 90,5

LC 88,7

Package

Qtd / Emb 30

Peso Unit. (g) 397,60

