

**CADC - ALUMINUM WEDGE TYPE CONNECTOR**

CADC-409

**Description**

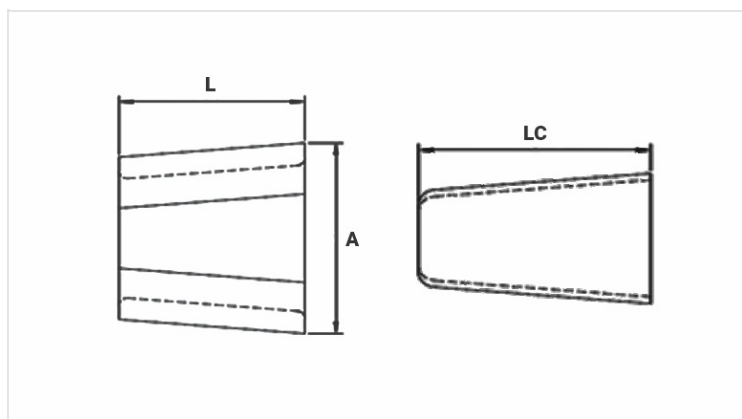
**Purpose:** CA or CAA aluminum and copper cables tap. Suitable for aluminum-aluminum and aluminum-copper connections.

**Characteristics:** Spring system connection (permanent tightening). High electrical conductivity and corrosion resistance.

**Application:** Power distribution lines.

**Material:** Aluminum alloy body and wedge. Supplied with antioxidant compound INTELTROX.

**Application Tool:** Impact tool with cartridge for wedge connector.



**Datasheet**

**Application Cartridge Color**

AMARELO

**Conductors**

Principal

Min. (mm) 13,31

Máx. (mm) 19,05

AWG/MCM 336,4\*

Derivação

Min. (mm) 4,11

Máx. (mm) 5,18

AWG/MCM 6

Soma dos Condutores

Min. (mm) 19,43

Máx. (mm) 24,67

**Dimensions (mm)**

L 75,7

A 90,5

LC 88,7

**Package**

Qtd / Emb 30

Peso Unit. (g) 406,50

