

**CADC - ALUMINUM WEDGE TYPE CONNECTOR**

CADC-501

**Description**

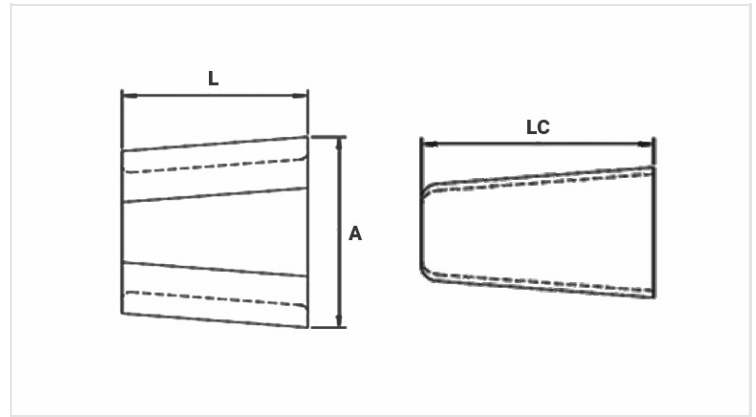
**Purpose:** CA or CAA aluminum and copper cables tap. Suitable for aluminum-aluminum and aluminum-copper connections.

**Characteristics:** Spring system connection (permanent tightening). High electrical conductivity and corrosion resistance.

**Application:** Power distribution lines.

**Material:** Aluminum alloy body and wedge. Supplied with antioxidant compound INTELTROX.

**Application Tool:** Impact tool with cartridge for wedge connector.



**Datasheet**

**Application Cartridge Color**

AMARELO

**Conductors**

Principal

Min. (mm) 18,34

Máx. (mm) 24,13

AWG/MCM 556,5\* | 556,5\*

Derivação

Min. (mm) 18,34

Máx. (mm) 24,13

AWG/MCM 477 | 556,5

Soma dos Condutores

Min. (mm) 42,98

Máx. (mm) 47,09

**Dimensions (mm)**

L 76,0

A 98,7

LC 88,8

**Package**

Qtd / Emb 30

Peso Unit. (g) 438,80

