

**CADC - ALUMINUM WEDGE TYPE CONNECTOR**

CADC-502

**Description**

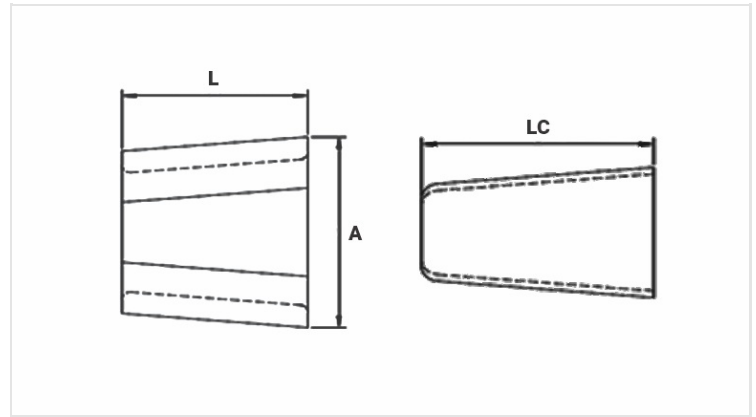
**Purpose:** CA or CAA aluminum and copper cables tap. Suitable for aluminum-aluminum and aluminum-copper connections.

**Characteristics:** Spring system connection (permanent tightening). High electrical conductivity and corrosion resistance.

**Application:** Power distribution lines.

**Material:** Aluminum alloy body and wedge. Supplied with antioxidant compound INTELTROX.

**Application Tool:** Impact tool with cartridge for wedge connector.



**Datasheet**

**Application Cartridge Color**

AMARELO

**Conductors**

Principal

Min. (mm) 16,92

Máx. (mm) 24,21

AWG/MCM 397,5\* | 477\* | 477\* | 556,5\* | 556,5\*

Derivação

Min. (mm) 16,92

Máx. (mm) 23,88

AWG/MCM 397,5 | 397,5 | 477 | 336,4 | 397,5

Soma dos Condutores

Min. (mm) 38,56

Máx. (mm) 45,00

**Dimensions (mm)**

L 76,0

A 98,7

LC 88,8

**Package**

Qtd / Emb 30

Peso Unit. (g) 426,40

