

CADC - ALUMINUM WEDGE TYPE CONNECTOR

CADC-504

Description

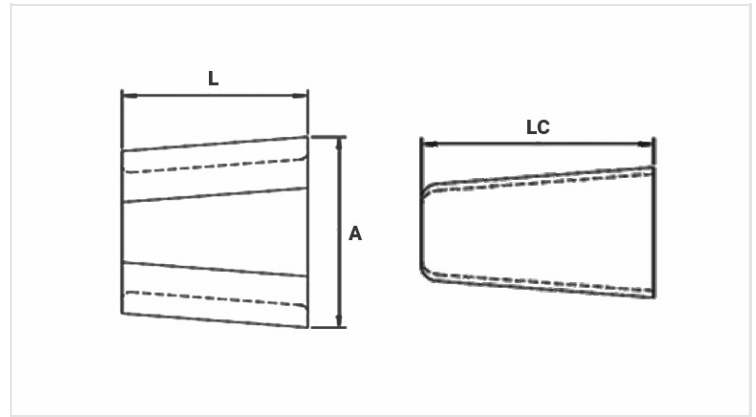
Purpose: CA or CAA aluminum and copper cables tap. Suitable for aluminum-aluminum and aluminum-copper connections.

Characteristics: Spring system connection (permanent tightening). High electrical conductivity and corrosion resistance.

Application: Power distribution lines.

Material: Aluminum alloy body and wedge. Supplied with antioxidant compound INTELTROX.

Application Tool: Impact tool with cartridge for wedge connector.



Datasheet

Application Cartridge Color

AMARELO

Conductors

Principal

Min. (mm) 16,92

Máx. (mm) 23,88

AWG/MCM 397,5* | 477* | 556,5*

Derivação

Min. (mm) 10,51

Máx. (mm) 19,05

AWG/MCM 266,8 | 266,8 | 4/0

Soma dos Condutores

Min. (mm) 31,98

Máx. (mm) 38,03

Dimensions (mm)

L 76,0

A 98,7

LC 88,8

Package

Qtd / Emb 30

Peso Unit. (g) 475,40

