

CADC - ALUMINUM WEDGE TYPE CONNECTOR

CADC-505

Description

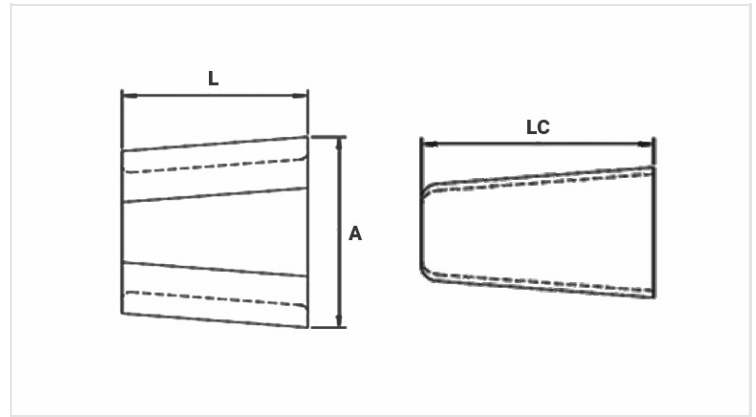
Purpose: CA or CAA aluminum and copper cables tap. Suitable for aluminum-aluminum and aluminum-copper connections.

Characteristics: Spring system connection (permanent tightening). High electrical conductivity and corrosion resistance.

Application: Power distribution lines.

Material: Aluminum alloy body and wedge. Supplied with antioxidant compound INTELTROX.

Application Tool: Impact tool with cartridge for wedge connector.



Datasheet

Application Cartridge Color

AMARELO

Conductors

Principal

Min. (mm)

16,92

Máx. (mm)

23,88

AWG/MCM

397,5* | 397,5* | 477* | 477* | 477* | 556,5* | 556,5* | 556,5*

Derivação

Min. (mm)

11,07

Máx. (mm)

16,51

AWG/MCM

3/0 | 4/0 | 2/0 | 3/0 | 4/0 | 1/0 | 2/0 | 3/0

Soma dos Condutores

Min. (mm)

30,89

Máx. (mm)

36,09

Dimensions (mm)

L

76,0

A

98,7

LC

88,8

Package

Qtd / Emb

30

Peso Unit. (g)

486,00

