

**CADC - ALUMINUM WEDGE TYPE CONNECTOR**

CADC-510

**Description**

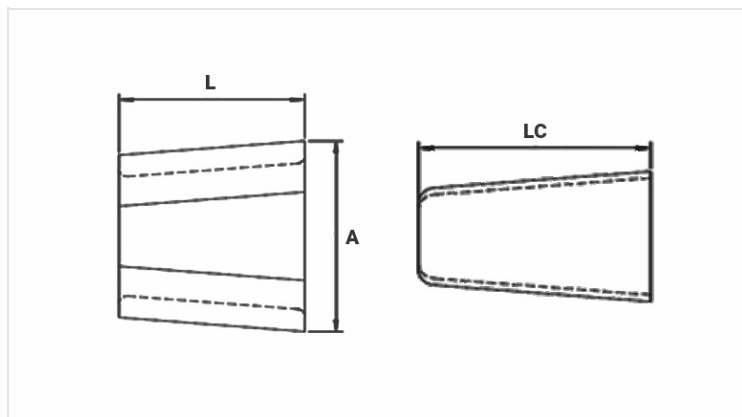
**Purpose:** CA or CAA aluminum and copper cables tap. Suitable for aluminum-aluminum and aluminum-copper connections.

**Characteristics:** Spring system connection (permanent tightening). High electrical conductivity and corrosion resistance.

**Application:** Power distribution lines.

**Material:** Aluminum alloy body and wedge. Supplied with antioxidant compound INTELTROX.

**Application Tool:** Impact tool with cartridge for wedge connector.



**Datasheet**

**Application Cartridge Color** AMARELO

**Conductors**

Principal

Min. (mm) 16,92

Máx. (mm) 23,88

AWG/MCM 397,5\* | 477\*

Derivação

Min. (mm) 6,53

Máx. (mm) 8,28

AWG/MCM 2 | 2

Soma dos Condutores

Min. (mm) 25,27

Máx. (mm) 30,10

**Dimensions (mm)**

L 76,0

A 98,7

LC 88,8

**Package**

Qtd / Emb 30

Peso Unit. (g) 630,00

