

**CDCEL - WEDGE TYPE TAP CONNECTOR WITH STIRRUP (SIDE MODEL)**

CDCEL-I

**Description**

**Purpose:** Connection with copper, CA or CAA aluminum cables. Allows ing of up to four wedge types or compression connectors.

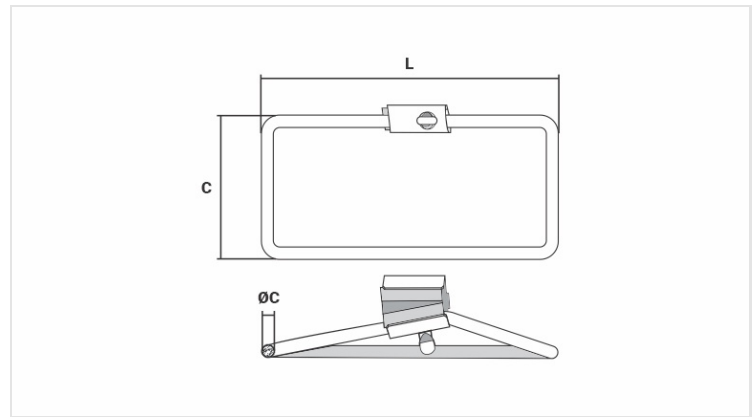
**Characteristics:** Spring system connection (permanent tightening). High electrical conductivity and resistance to corrosion.

**Application:** Power distribution lines.

**Material:** Copper alloy body and wedge and Electrolytic copper stirrup. Supplied with antioxide compound INTELTROX.

**Finishing (Stirrup):** Tin plated.

**Application Tool:** 12" water pump pliers.



**Datasheet**

**Conductors**

Principal

AWG/MCM

6 - 2

mm<sup>2</sup>

16 - 35

Estribo (AWG)

2

Soma dos Condutores (mm)

Min.

10,65

Máx.

14,01

**Dimensions (mm)**

L

156,0

C

76,0

Ø C

6,5

**Package**

Qtd / Emb

40

Peso Unit. (g)

166,00