

CDCEL - WEDGE TYPE TAP CONNECTOR WITH STIRRUP (SIDE MODEL)

CDCEL-VII

Description

Purpose: Connection with copper, CA or CAA aluminum cables. Allows ing of up to four wedge types or compression connectors.

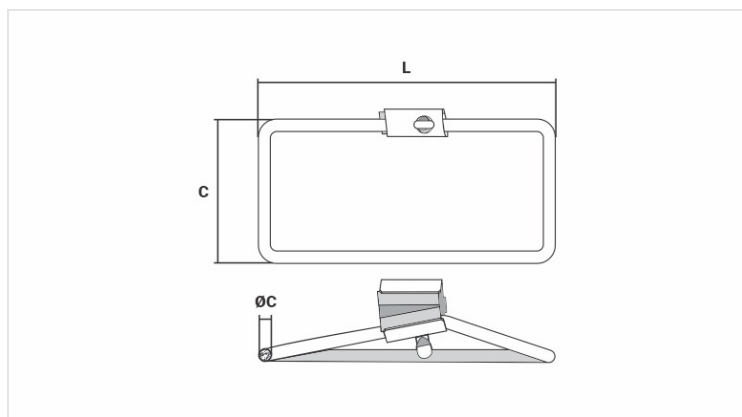
Characteristics: Spring system connection (permanent tightening). High electrical conductivity and resistance to corrosion.

Application: Power distribution lines.

Material: Copper alloy body and wedge and Electrolytic copper stirrup. Supplied with antioxide compound INTELTROX.

Finishing (Stirrup): Tin plated.

Application Tool: 12" water pump pliers.



Datasheet

Conductors

Principal

AWG/MCM

2 - 1/0

mm²

35 - 50

Estribo (AWG)

2

Soma dos Condutores (mm)

Min.

13,95

Máx.

16,78

Dimensions (mm)

L

156,00

C

76,0

Ø C

6,5

Package

Qtd / Emb

50

Peso Unit. (g)

82,00