

CAEN - ALUMINUM WEDGE TYPE CONNECTOR WITH STIRRUP (STANDARD MODEL)

CAEN-105

Description

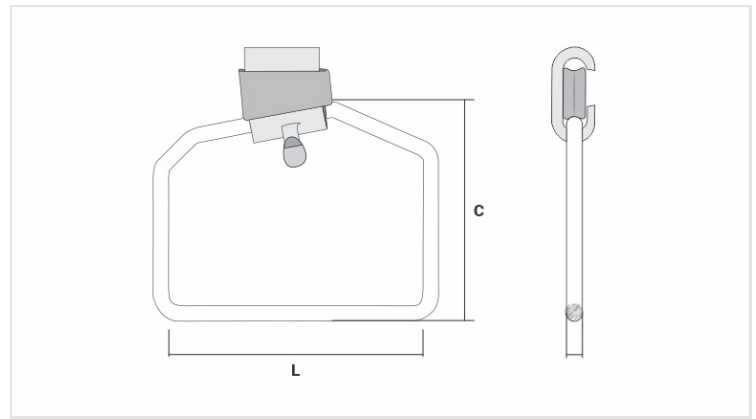
Purpose: Connection with CA and CAA aluminum or copper cables. Enables ing of a hotline clamp, s of up to four wedge type or compression connector.

Characteristics: Spring system connection (permanent tightening). High electrical conductivity and corrosion resistance.

Application: Power distribution lines.

Material: Aluminum alloy body and wedge and stirrup in electrolytic copper. Supplied with antioxide compound INTELTROX.

Finishing (Stirrup): Tin plated.



Datasheet

Application Cartridge Color	VERMELHO
Conductors	
AWG/MCM	8 - 6
Tipo do Condutor	CA/CAA
Stirrup (AWG)	2
Dimensions (mm)	
L	121,0
C	92,0
Ø C	6,5
Package	
Qtd / Emb	25
Peso Unit. (g)	151,60