

**CAEN - ALUMINUM WEDGE TYPE CONNECTOR WITH STIRRUP (STANDARD MODEL)**

CAEN-20B

**Description**

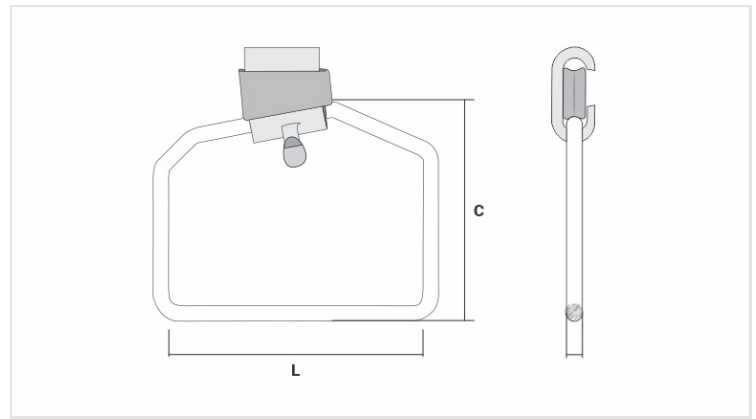
**Purpose:** Connection with CA and CAA aluminum or copper cables. Enables using of a hotline clamp, size of up to four wedge type or compression connector.

**Characteristics:** Spring system connection (permanent tightening). High electrical conductivity and corrosion resistance.

**Application:** Power distribution lines.

**Material:** Aluminum alloy body and wedge and stirrup in electrolytic copper. Supplied with antioxidant compound INTELTROX.

**Finishing (Stirrup):** Tin plated.



**Datasheet**

<b>Application Cartridge Color</b>	AZUL
<b>Conductors</b>	
AWG/MCM	1/0 - 4/0
Tipo do Condutor	CA/CAA
<b>Stirrup (AWG)</b>	2
<b>Dimensions (mm)</b>	
L	121,0
C	92,0
Ø C	6,5
<b>Package</b>	
Qtd / Emb	40
Peso Unit. (g)	240,00