

**CAEL - ALUMINUM WEDGE TYPE CONNECTOR WITH STIRRUP (SIDE MODEL)**

CAEL-105

**Description**

**Purpose:** Connection with copper, aluminum CA and CAA cables. Allows ing of up to four wedge types or compression connectors.

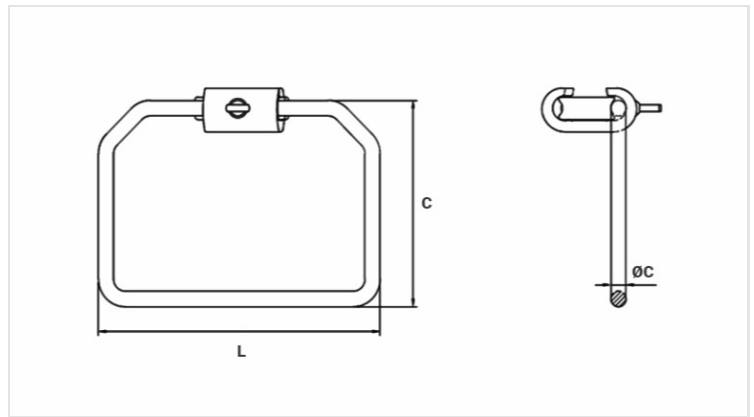
**Characteristics:** Spring system connection (permanent tightening). High electrical conductivity and corrosion resistance.

**Application:** Power distribution lines.

**Material:** Aluminum alloy body and wedge and stirrup in electrolytic copper. Supplied with antioxidant compound INTELTROX.

**Finishing (Stirrup):** Tin plated.

**Application Tool:** Impact tool with cartridge for wedge connector.



**Datasheet**

<b>Application Cartridge Color</b>	VERMELHO
<b>Conductors</b>	
AWG/MCM	8 - 6
Tipo do Condutor	CA/CAA
<b>Stirrup (AWG)</b>	2
<b>Dimensions (mm)</b>	
L	121,0
C	88,0
Ø C	6,5
<b>Package</b>	
Qtd / Emb	20
Peso Unit. (g)	157,80