

CAEL - ALUMINUM WEDGE TYPE CONNECTOR WITH STIRRUP (SIDE MODEL)

CAEL-20B

Description

Purpose: Connection with copper, aluminum CA and CAA cables. Allows ing of up to four wedge types or compression connectors.

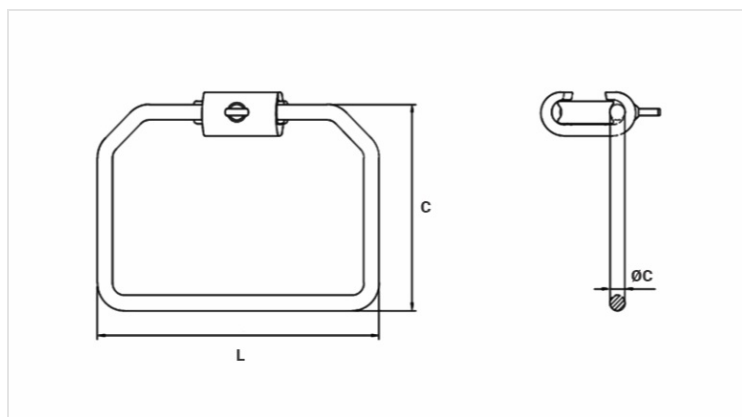
Characteristics: Spring system connection (permanent tightening). High electrical conductivity and corrosion resistance.

Application: Power distribution lines.

Material: Aluminum alloy body and wedge and stirrup in electrolytic copper. Supplied with antioxiide compound INTELTROX.

Finishing (Stirrup): Tin plated.

Application Tool: Impact tool with cartridge for wedge connector.



Datasheet

Application Cartridge Color	AZUL
Conductors	
AWG/MCM	1/0 - 4/0
Tipo do Condutor	CA/CAA
Stirrup (AWG)	2
Dimensions (mm)	
L	121,0
C	88,0
Ø C	6,5
Package	
Qtd / Emb	30
Peso Unit. (g)	235,00