

**LEB - ALUMINUM COMPRESSION CONNECTOR WITH STIRRUP**

LEB-40

**Description**

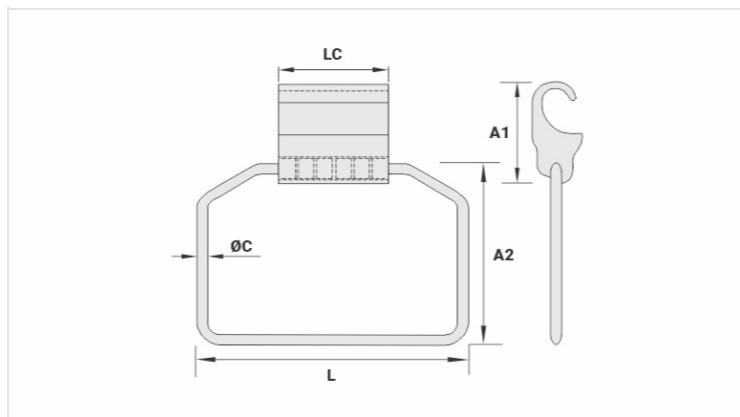
**Purpose:** Connection with CA or CAA aluminum cables. Enables using of a hotline clamp, using of up to four wedge type or compression connectors.

**Characteristics:** Compression connection. High electrical conductivity and corrosion resistance.

**Application:** Power distribution lines.

**Material:** Extruded aluminum body and stirrup in electrolytic copper. Supplied with antioxidant compound INTELTROX.

**Finishing (Stirrup):** Tin plated.



**Datasheet**

**Conductors**

CA/Cu (AWG)	2 - 1
CAA (AWG/MCM)	2

**Stirrup (AWG)**

2

**Dimensions (mm)**

L	131,0
LC	48,0
A1	40,0
A2	86,0
Ø C	6,5

**Application Tool (AY-96/CY-96)**

Matriz	20
Compressões	165,40