

**AEB - CAST ALUMINUM CONNECTOR WITH STIRRUP**

AEB-38-1

**Description**

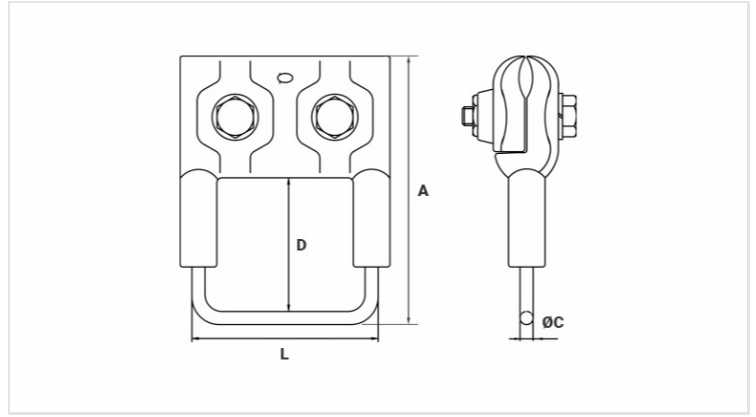
**Purpose:** Connection with CA, CAA aluminum cables. Enables ing of a hotline clamp.

**Characteristics:** Tightening connection. High electrical conductivity and corrosion resistance.

**Application:** Power distribution lines.

**Material:** Cast aluminum alloy body and stirrup in electrolytic copper.

**Application Tool:** Star or open ended wrench. Finishing (Stirrup): Tin plated.



**Datasheet**

**Conductors**

Principal (AWG/MCM)	10 - 2
Tipo do Condutor	CA
Estribo (AWG)	4

**Dimensions (mm)**

L	63,0
A	150,0
Ø C	5,2
D	100,0

**Screw** 1x M10

**Package**

Qtd / Emb	20
Peso Unit. (g)	220,00