

**AEB - CAST ALUMINUM CONNECTOR WITH STIRRUP**

AEB-44-2

**Description**

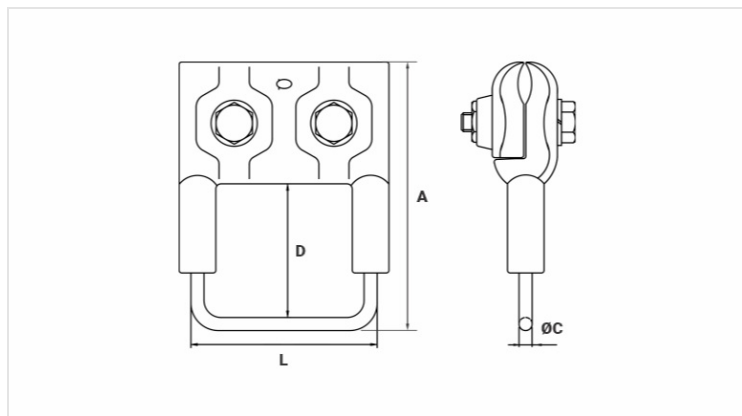
**Purpose:** Connection with CA, CAA aluminum cables. Enables ing of a hotline clamp.

**Characteristics:** Tightening connection. High electrical conductivity and corrosion resistance.

**Application:** Power distribution lines.

**Material:** Cast aluminum alloy body and stirrup in electrolytic copper.

**Application Tool:** Star or open ended wrench. Finishing (Stirrup): Tin plated.



**Datasheet**

**Conductors**

|                     |          |
|---------------------|----------|
| Principal (AWG/MCM) | 4 - 1/0  |
| Tipo do Condutor    | CA / CAA |
| Estribo (AWG)       | 1/0      |

**Dimensions (mm)**

|     |       |
|-----|-------|
| L   | 75,5  |
| A   | 123,0 |
| Ø C | 8,0   |
| D   | 65,0  |

**Screw** 2x M10

**Package**

|                |       |
|----------------|-------|
| Qtd / Emb      | 15    |
| Peso Unit. (g) | 358,0 |