

**AEB - CAST ALUMINUM CONNECTOR WITH STIRRUP**

AEB-88-2

**Description**

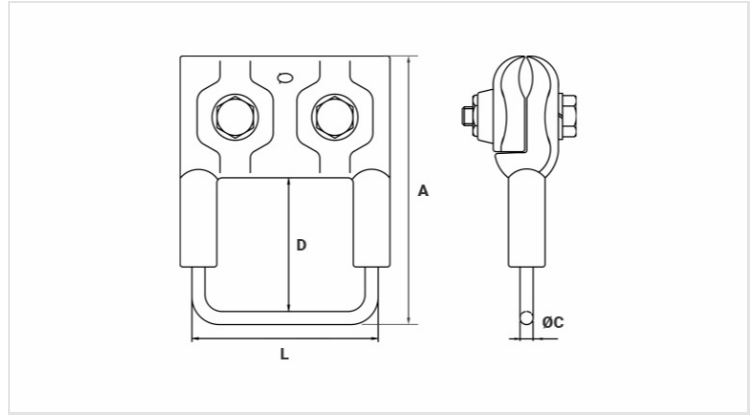
**Purpose:** Connection with CA, CAA aluminum cables. Enables ing of a hotline clamp.

**Characteristics:** Tightening connection. High electrical conductivity and corrosion resistance.

**Application:** Power distribution lines.

**Material:** Cast aluminum alloy body and stirrup in electrolytic copper.

**Application Tool:** Star or open ended wrench. Finishing (Stirrup): Tin plated.



**Datasheet**

**Conductors**

Principal (AWG/MCM)	2/0 - 477
Tipo do Condutor	CA / CAA
Estribo (AWG)	4/0

**Dimensions (mm)**

L	84,5
A	133,0
Ø C	1,0
D	65,0

**Screw** 2x M10

**Package**

Qtd / Emb	8
Peso Unit. (g)	698,00