

GTDB2C - BUSBAR DOUBLE GROUNDING CLAMPS (2 CONDUCTORS)

GTDB-2C-8-4

Description

Purpose: Cable to busbar connections. Suitable for COPPERSTEEL or copper cables.

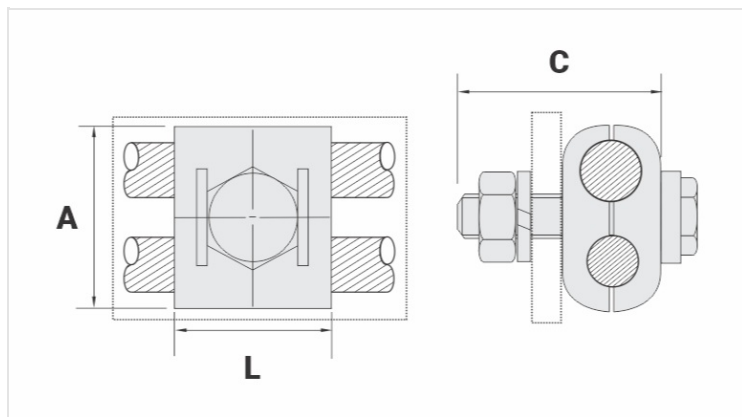
Characteristics: Tightening connection. High electrical conductivity and corrosion resistant. Two conductors model. Enough screw length for plate/bar thickness up to 7mm.

Application: Grounding systems in general (power distribution systems, grounding grids, residential, building, industrial grounding, grounding in telecommunication networks).

Material: Bronze clamp, fittings in copper alloy or hot galvanized steel.

Application Tool: Spanner set or open-ended wrench.

*Also available tin plated.



Datasheet

Conductor

Seção (AWG/MCM)	8 - 4
mm ²	10 - 25

Dimensions (mm)

L	33,0
A	35,0
C	45,0

Parafuso - E M10

Figura 2

Package

Qtd / Emb	20
Peso Unit. (g)	220,30