

**ACB / ACH / ACB-E - STIRRUPS FOR CONNECTORS**

ACB-35

**Description**

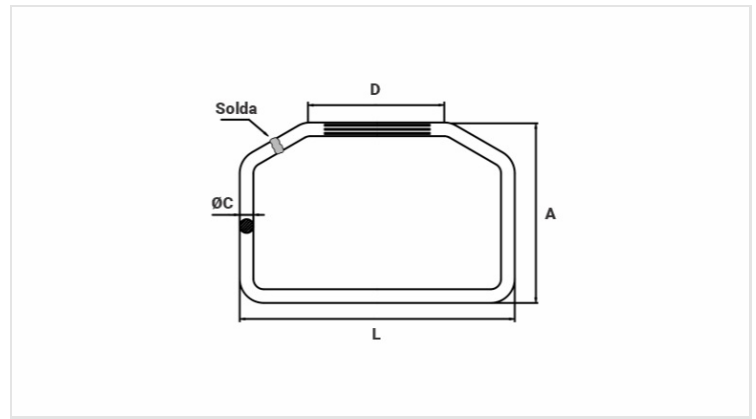
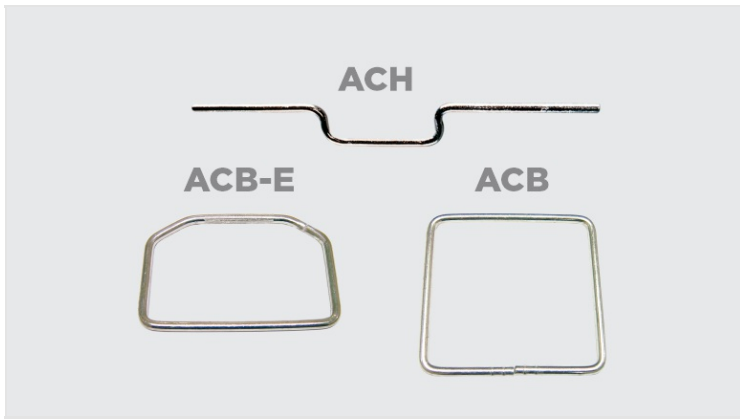
**Purpose:** Connection between CA, CAA aluminum or copper cables with wedge, compression and hotline clamp connector.

**Characteristics:** Connection can be by tightening, compression or spring system. High electrical conductivity and corrosion resistance. Stirrups designed for perfect adaptation with connectors / clamps such as CAH, CAC, CDC, CADC, GLV, among others.

**Application:** Power distribution lines.

**Material:** Electrolytic copper.

**Finish:** Tin plated



**Datasheet**

**Cross Section**

AWG/MCM 2

mm<sup>2</sup> 35

**Figure** 2

**Dimensions**

L 113,0

A 83,0

Ø C 6,5

D 70,0

E -

F -

**Package**

Qtd / Emb 25

Peso Unit. (g) 103,00