

ACB / ACH / ACB-E - STIRRUPS FOR CONNECTORS

ACB-44

Description

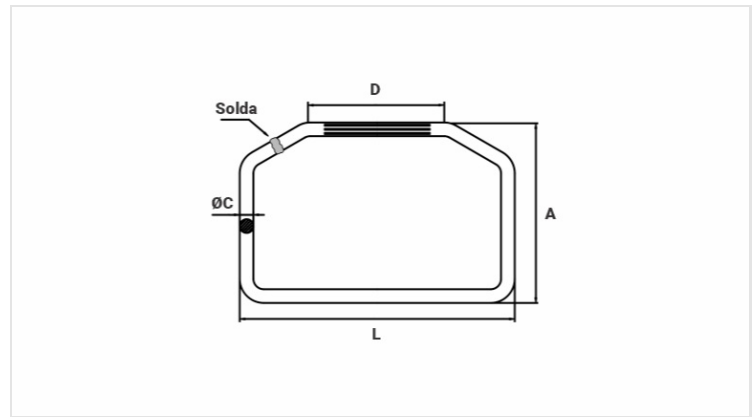
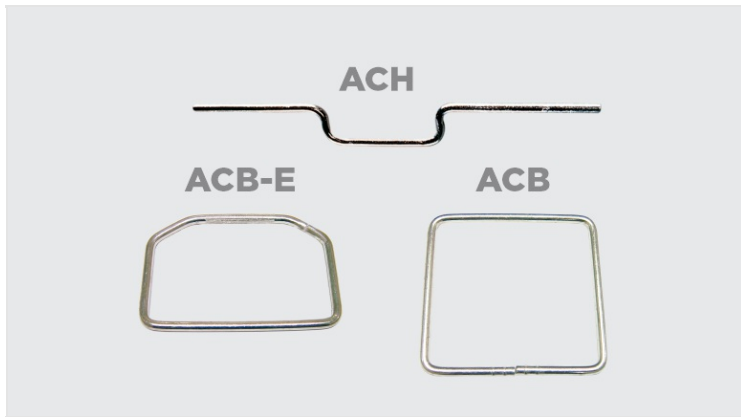
Purpose: Connection between CA, CAA aluminum or copper cables with wedge, compression and hotline clamp connector.

Characteristics: Connection can be by tightening, compression or spring system. High electrical conductivity and corrosion resistance. Stirrups designed for perfect adaptation with connectors / clamps such as CAH, CAC, CDC, CADC, GLV, among others.

Application: Power distribution lines.

Material: Electrolytic copper.

Finish: Tin plated



Datasheet

Cross Section

AWG/MCM

1/0

mm²

50

Figure

2

Dimensions

L

116,0

A

86,0

Ø C

8,0

D

70,0

E

-

F

-

Package

Qtd / Emb

25

Peso Unit. (g)

157,00