

ACB / ACH / ACB-E - STIRRUPS FOR CONNECTORS

ACB-60 (PADRÃO CEMIG/CPFL)

Description

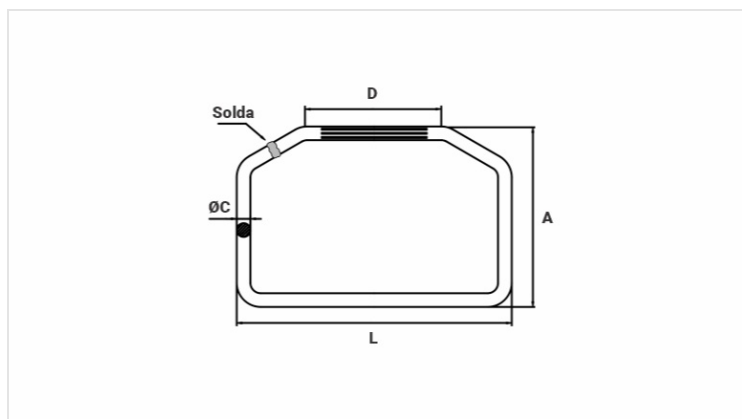
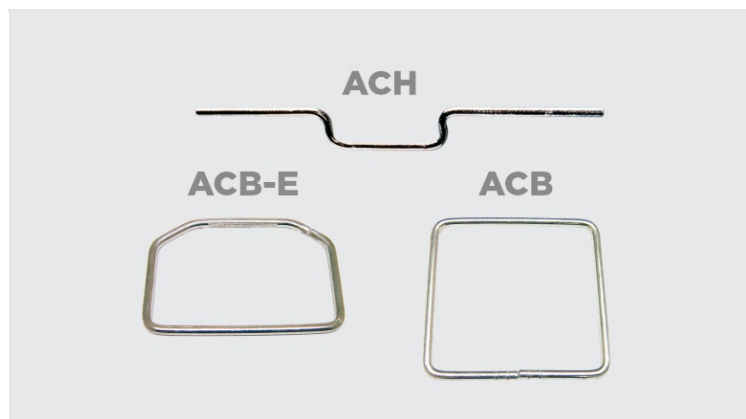
Purpose: Connection between CA, CAA aluminum or copper cables with wedge, compression and hotline clamp connector.

Characteristics: Connection can be by tightening, compression or spring system. High electrical conductivity and corrosion resistance. Stirrups designed for perfect adaptation with connectors / clamps such as CAH, CAC, CDC, CADC, GLV, among others.

Application: Power distribution lines.

Material: Electrolytic copper.

Finish: Tin plated



Datasheet

Cross Section

AWG/MCM	4/0
mm ²	120

Figure	2
---------------	---

Dimensions

L	143,4
A	120,0
Ø C	11,8
D	-
E	-
F	-

Package

Qtd / Emb	20
Peso Unit. (g)	423,20