

**CDP - PIERCING CONNECTOR**

CDP-6

**Description**

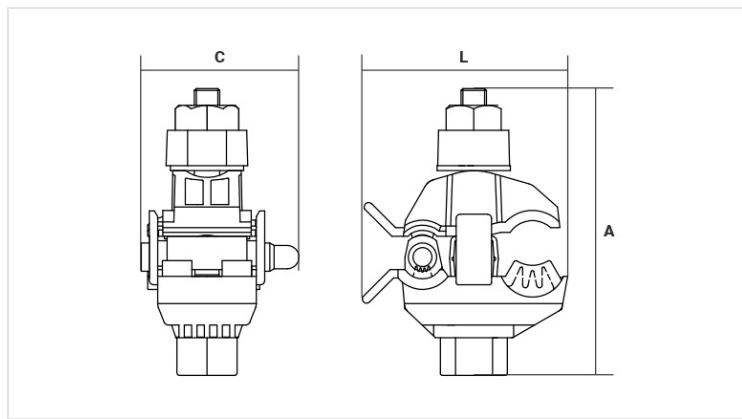
**Purpose:** Tap of Insulated Cables, suitable for combinations aluminum to aluminum, aluminum to copper and copper to copper in overhead power distribution lines (low voltage up to 1kV).

**Characteristics:** Insulation piercing connection (no stripping of cable insulation required). Used with 0.6/1kV XLPE/PE insulated aluminum cables or 450/750v PVC insulated cables (without cover). It has a fuse nut to ensure a perfect connection. It has elastomeric rubbers, making the connector watertight.

**Application:** Overhead insulated power distribution lines.

**Material:** Polymer connector resistant to weather and U.V. rays. Tin plated copper contacts.

**Application Tool:** Star or socket wrench.



**Datasheet**

**Conductors**

Principal

mm<sup>2</sup> 10 - 120

AWG/MCM 8 - 4/0

Derivação

mm<sup>2</sup> 1,5 - 6

AWG/MCM 16 - 10

**Figure**

1

**Dimensions (mm)**

L 40,0

A 65,0

C 23,0

**Package**

Qtd / Emb 100

Peso Unit. (g) 53,38