

CDP - PIERCING CONNECTOR

CDP-70

Description

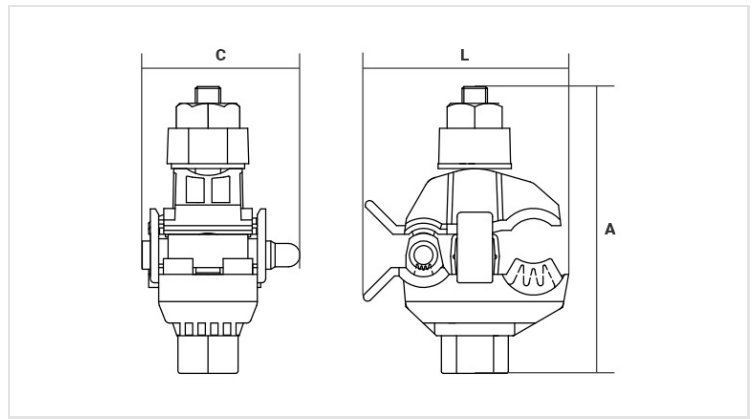
Purpose: Tap of Insulated Cables, suitable for combinations aluminum to aluminum, aluminum to copper and copper to copper in overhead power distribution lines (low voltage up to 1kV).

Characteristics: Insulation piercing connection (no stripping of cable insulation required). Used with 0.6/1kV XLPE/PE insulated aluminum cables or 450/750v PVC insulated cables (without cover). It has a fuse nut to ensure a perfect connection. It has elastomeric rubbers, making the connector watertight.

Application: Overhead insulated power distribution lines.

Material: Polymer connector resistant to weather and U.V. rays. Tin plated copper contacts.

Application Tool: Star or socket wrench.



Datasheet

Conductors

Principal

mm² 10 - 95

AWG/MCM 8 - 3/0

Derivação

mm² 1,5 - 10

AWG/MCM 16 - 8

Figure

1

Dimensions (mm)

L 40,0

A 65,0

C 23,0

Package

Qtd / Emb 100

Peso Unit. (g) 58,20