

CDP - PIERCING CONNECTOR

CDP-120-120

Description

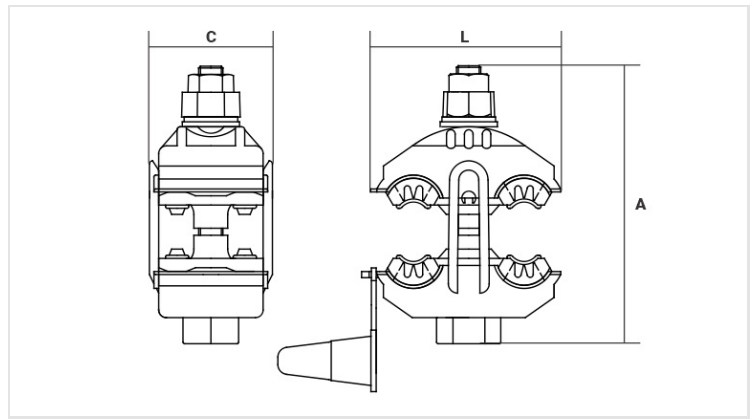
Purpose: Tap of Insulated Cables, suitable for combinations aluminum to aluminum, aluminum to copper and copper to copper in overhead power distribution lines (low voltage up to 1kV).

Characteristics: Insulation piercing connection (no stripping of cable insulation required). Used with 0.6/1kV XLPE/PE insulated aluminum cables or 450/750v PVC insulated cables (without cover). It has a fuse nut to ensure a perfect connection. It has elastomeric rubbers, making the connector watertight.

Application: Overhead insulated power distribution lines.

Material: Polymer connector resistant to weather and U.V. rays. Tin plated copper contacts.

Application Tool: Star or socket wrench.



Datasheet

Conductors

Principal

mm² 25 - 150

AWG/MCM 4 - 300

Derivação

mm² 25 - 150

AWG/MCM 4 - 300

Figure

2

Dimensions (mm)

L 60,0

A 87,0

C 33,0

Package

Qtd / Emb 60

Peso Unit. (g) 155,40